

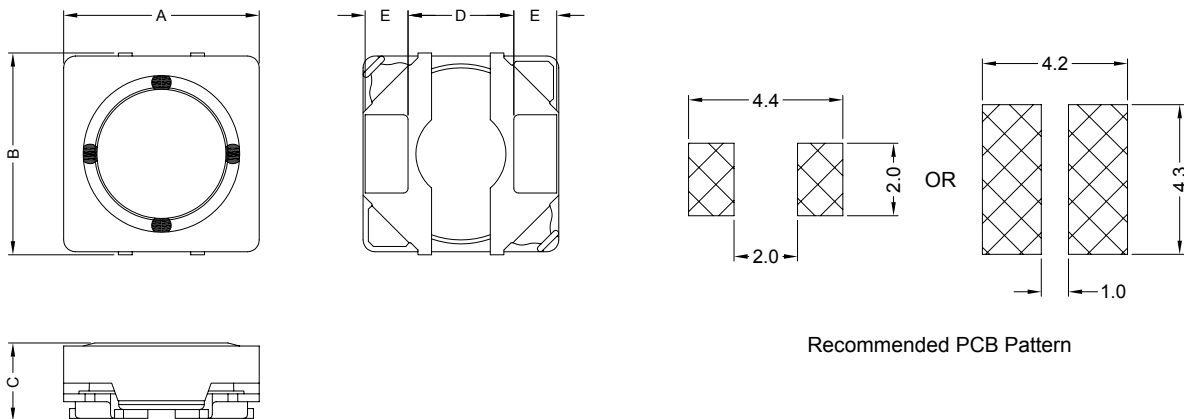
### 1. PART NO. EXPRESSION :

SPI4018 - 1R2NZF

(a) (b) (c) (d)(e)(f)

- (a) Series code
- (b) Dimension code
- (c) Inductance code : 1R2 = 1.2uH
- (d) Tolerance code : M = ±20%, N = ±30%
- (e) Z : Standard part
- (f) F : RoHS Compliant

### 2. CONFIGURATION & DIMENSIONS :



Unit:m/m

A	B	C	D	E	F	G
4.0±0.2	4.0±0.2	1.8 Max.	2.1 Typ	0.9 Typ	1.6 Typ	1.1 Typ

### 3. MATERIALS :

- (a) Core : Ferrite
- (b) Wire : Polyurethane Enamelled Copper Wire
- (c) Terminal Clip : C5191
- (d) Adhesive : Epoxy
- (e) Ink : 70000-00101



**RoHS Compliant**

NOTE : Specifications subject to change without notice. Please check our website for latest information.

18.06.2009

## 4. GENERAL SPECIFICATION :

- a) IDC1 : Based on inductance change ( $\Delta L/L_0: \leq 30\%$ ) @ ambient temp. 25°C
- b) IDC2 : Based on temperature rise ( $\Delta T: 40^\circ\text{C Typ.}$ )
- c) Storage temp. : -40°C to +105°C
- d) Operating temp. : -40°C to +105°C
- e) Resistance to solder heat : 260°C 10secs

## 5. ELECTRICAL CHARACTERISTICS :

Part No.	Inductance ( $\mu\text{H}$ )	Test Frequency (Hz)	RDC ( $\text{m}\Omega$ ) $\pm 20\%$	IDC1 (A)	IDC2 (A)
SPI4018-1R2NZF	1.2 $\pm 30\%$	0.1V/100K	46	2.30	2.20
SPI4018-1R5NZF	1.5 $\pm 30\%$	0.1V/100K	51	2.10	2.00
SPI4018-2R2NZF	2.2 $\pm 30\%$	0.1V/100K	59	1.90	1.85
SPI4018-3R3NZF	3.3 $\pm 30\%$	0.1V/100K	74	1.40	1.60
SPI4018-3R9NZF	3.9 $\pm 30\%$	0.1V/100K	82	1.30	1.50
SPI4018-4R7MZF	4.7 $\pm 20\%$	0.1V/100K	99	1.20	1.35
SPI4018-5R6MZF	5.6 $\pm 20\%$	0.1V/100K	110	1.10	1.25
SPI4018-6R8MZF	6.8 $\pm 20\%$	0.1V/100K	130	1.00	1.20
SPI4018-8R2MZF	8.2 $\pm 20\%$	0.1V/100K	140	0.90	1.10
SPI4018-100MZF	10 $\pm 20\%$	0.1V/100K	150	0.85	1.00
SPI4018-120MZF	12 $\pm 20\%$	0.1V/100K	220	0.80	0.95
SPI4018-150MZF	15 $\pm 20\%$	0.1V/100K	240	0.70	0.90
SPI4018-180MZF	18 $\pm 20\%$	0.1V/100K	260	0.65	0.85
SPI4018-220MZF	22 $\pm 20\%$	0.1V/100K	370	0.55	0.75
SPI4018-270MZF	27 $\pm 20\%$	0.1V/100K	420	0.50	0.70
SPI4018-330MZF	33 $\pm 20\%$	0.1V/100K	480	0.45	0.60
SPI4018-470MZF	47 $\pm 20\%$	0.1V/100K	620	0.40	0.50



**RoHS Compliant**

NOTE : Specifications subject to change without notice. Please check our website for latest information.

18.06.2009



Tai-Tech Advanced Electronics (S) Pte Ltd