

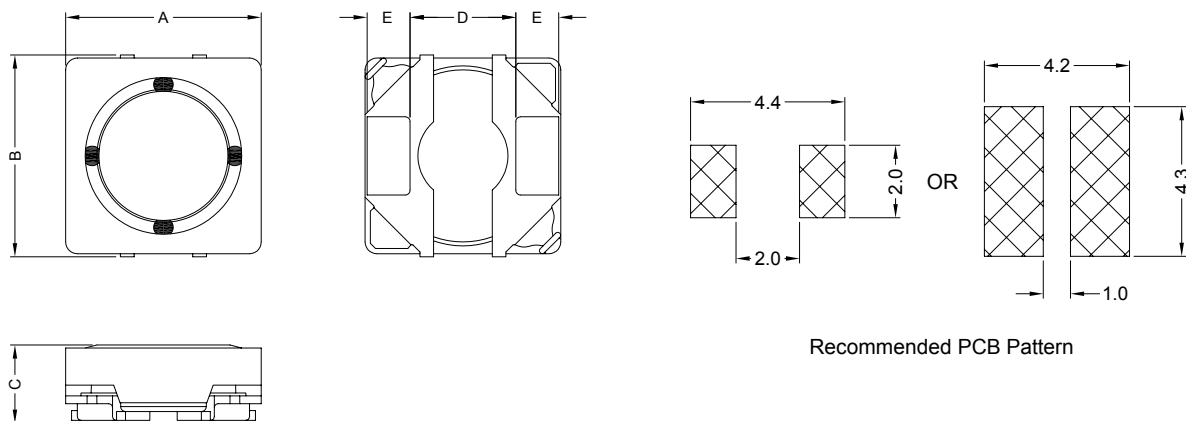
1. PART NO. EXPRESSION :

SPI4012 - 1R2NZF

(a) (b) (c) (d)(e)(f)

- (a) Series code
- (b) Dimension code
- (c) Inductance code : 1R2 = 1.2uH
- (d) Tolerance code : M = ±20%, N = ±30%
- (e) Z : Standard part
- (f) F : RoHS Compliant

2. CONFIGURATION & DIMENSIONS :



Unit:m/m

A	B	C	D	E	F	G
4.0±0.2	4.0±0.3	1.2 Max.	2.1 Typ	0.9 Typ	1.6 Typ	1.1 Typ

3. MATERIALS :

- (a) Core : Ferrite
- (b) Wire : Polyurethane Enamelled Copper Wire
- (c) Terminal Clip : C5191
- (d) Adhesive : Epoxy
- (e) Ink : 70000-00101



RoHS Compliant

NOTE : Specifications subject to change without notice. Please check our website for latest information.

18.06.2009

4. GENERAL SPECIFICATION :

- a) IDC1 : Based on inductance change ($\Delta L/L_0: \leq 30\%$) @ ambient temp. 25°C
- b) IDC2 : Based on temperature rise ($\Delta T: 40^\circ\text{C Typ.}$)
- c) Storage temp. : -40°C to +105°C
- d) Operating temp. : -40°C to +105°C
- e) Resistance to solder heat : 260°C 10secs

5. ELECTRICAL CHARACTERISTICS :

Part No.	Inductance (uH)	Test Frequency (Hz)	RDC (mΩ) ±20%	IDC1 (A)	IDC2 (A)
SPI4012-1R2NZF	1.2±30%	0.1V/100K	57	2.00	2.00
SPI4012-1R5NZF	1.5±30%	0.1V/100K	67	1.70	1.80
SPI4012-2R2NZF	2.2±30%	0.1V/100K	84	1.50	1.55
SPI4012-3R3NZF	3.3±30%	0.1V/100K	100	1.30	1.25
SPI4012-4R7MZF	4.7±20%	0.1V/100K	140	1.10	1.15
SPI4012-6R8MZF	6.8±20%	0.1V/100K	170	1.00	1.05
SPI4012-8R2MZF	8.2±20%	0.1V/100K	210	0.90	1.00
SPI4012-100MZF	10±20%	0.1V/100K	260	0.75	0.90
SPI4012-120MZF	12±20%	0.1V/100K	300	0.66	0.85
SPI4012-150MZF	15±30%	0.1V/100K	390	0.70	0.75
SPI4012-180MZF	18±20%	0.1V/100K	450	0.60	0.60
SPI4012-220MZF	22±20%	0.1V/100K	650	0.57	0.50
SPI4012-270MZF	27±20%	0.1V/100K	750	0.48	0.40
SPI4012-330MZF	33±20%	0.1V/100K	850	0.39	0.45



RoHS Compliant

NOTE : Specifications subject to change without notice. Please check our website for latest information.

18.06.2009



Tai-Tech Advanced Electronics (S) Pte Ltd