

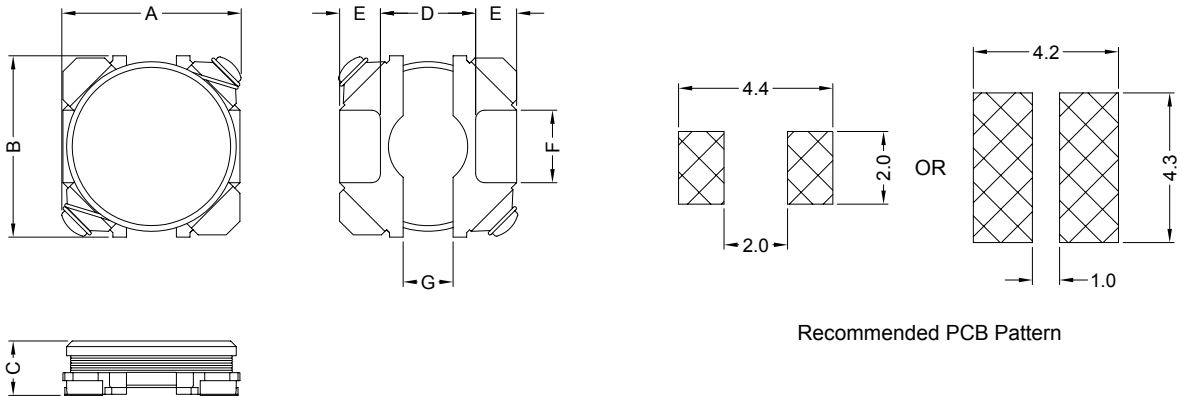
1. PART NO. EXPRESSION :

SPC4012UT-1R0NZF
 (a) (b) (c)(d) (e) (f)(g)(h)

- (a) Series code
- (b) Dimension code
- (c) Uncoating type
- (d) Taping package

- (e) Inductance code : 1R0 = 1.0uH
- (f) Tolerance code : N = ±30%
- (g) Z : Standard part
- (h) F : RoHS Compliant

2. CONFIGURATION & DIMENSIONS :



Unit:m/m

A	B	C	D	E	F	G
4.0±0.2	4.0±0.3	1.2 Max.	2.1 Typ	0.9 Typ	1.6 Typ	1.1 Typ

3. MATERIALS :

- (a) Core : Ferrite
- (b) Wire : Polyurethane Enamelled Copper Wire
- (c) Terminal Clip : C5191
- (d) Adhesive : Epoxy



RoHS Compliant

NOTE : Specifications subject to change without notice. Please check our website for latest information.

18.06.2009

4. GENERAL SPECIFICATION :

- a) IDC1 : Based on inductance change ($\Delta L/L_0: \leq 30\%$) @ ambient temp. 25°C
- b) IDC2 : Based on temperature rise ($\Delta T: 40^\circ\text{C Typ.}$)
- c) Storage temp. : -40°C to +105°C
- d) Operating temp. : -40°C to +105°C
- e) Resistance to solder heat : 260°C 10secs

5. ELECTRICAL CHARACTERISTICS :

Part No.	Inductance (uH)	Test Frequency (Hz)	RDC (mΩ) ±20%	IDC1 (A)	IDC2 (A)
SPC4012UT-2R2NZF	2.2±30%	0.1V/100K	90	2.00	1.50
SPC4012UT-3R3NZF	3.3±30%	0.1V/100K	130	1.70	1.35



RoHS Compliant

NOTE : Specifications subject to change without notice. Please check our website for latest information.

18.06.2009



Tai-Tech Advanced Electronics (S) Pte Ltd