

1. PART NO. EXPRESSION :

SPC4012FT-1R0NZF

(a) (b) (c)(d) (e) (f)(g)(h)

(a) Series code

(b) Dimension code

(c) Powder coating type

(d) Taping package

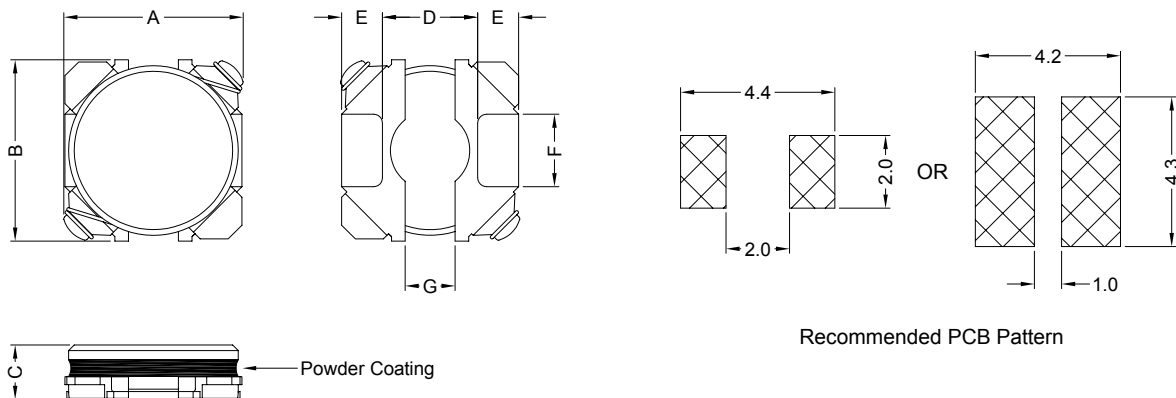
(e) Inductance code : 1R0 = 1.0uH

(f) Tolerance code : M = ±20%, N = ±30%

(g) Z : Standard part

(h) F : RoHS Compliant

2. CONFIGURATION & DIMENSIONS :



Unit:m/m

A	B	C	D	E	F	G
4.0±0.2	4.0±0.3	1.2 Max.	2.1 Typ	0.9 Typ	1.6 Typ	1.1 Typ

3. MATERIALS :

- (a) Core : Ferrite
- (b) Wire : Polyurethane Enamelled Copper Wire
- (c) Terminal Clip : C5191
- (d) Adhesive : Epoxy
- (e) Coating : Powder Coating



RoHS Compliant

NOTE : Specifications subject to change without notice. Please check our website for latest information.

18.06.2009

4. GENERAL SPECIFICATION :

- a) IDC1 : Based on inductance change ($\Delta L/L_0: \leq 30\%$) @ ambient temp. 25°C
- b) IDC2 : Based on temperature rise ($\Delta T: 40^\circ\text{C Typ.}$)
- c) Storage temp. : -40°C to +105°C
- d) Operating temp. : -40°C to +105°C (include self-temp. rise)
- e) Resistance to solder heat : 260°C 10secs

5. ELECTRICAL CHARACTERISTICS :

Part No.	Inductance (μH)	Test Frequency (Hz)	RDC ($\text{m}\Omega$) $\pm 20\%$	IDC1 (A)	IDC2 (A)
SPC4012FT-1R0NZF	1.0 $\pm 30\%$	0.1V/100K	42	2.30	1.90
SPC4012FT-1R5NZF	1.5 $\pm 30\%$	0.1V/100K	57	1.90	1.70
SPC4012FT-2R2NZF	2.2 $\pm 30\%$	0.1V/100K	86	1.50	1.55
SPC4012FT-3R3NZF	3.3 $\pm 30\%$	0.1V/100K	100	1.30	1.40
SPC4012FT-4R7MZF	4.7 $\pm 20\%$	0.1V/100K	130	1.10	1.25
SPC4012FT-6R8MZF	6.8 $\pm 20\%$	0.1V/100K	180	0.95	1.05
SPC4012FT-100MZF	10 $\pm 20\%$	0.1V/100K	280	0.75	0.80
SPC4012FT-150MZF	15 $\pm 20\%$	0.1V/100K	390	0.65	0.70
SPC4012FT-220MZF	22 $\pm 20\%$	0.1V/100K	530	0.55	0.60
SPC4012FT-330MZF	33 $\pm 20\%$	0.1V/100K	850	0.45	0.40
SPC4012FT-470MZF	47 $\pm 20\%$	0.1V/100K	1140	0.38	0.35



RoHS Compliant

NOTE : Specifications subject to change without notice. Please check our website for latest information.

18.06.2009



Tai-Tech Advanced Electronics (S) Pte Ltd