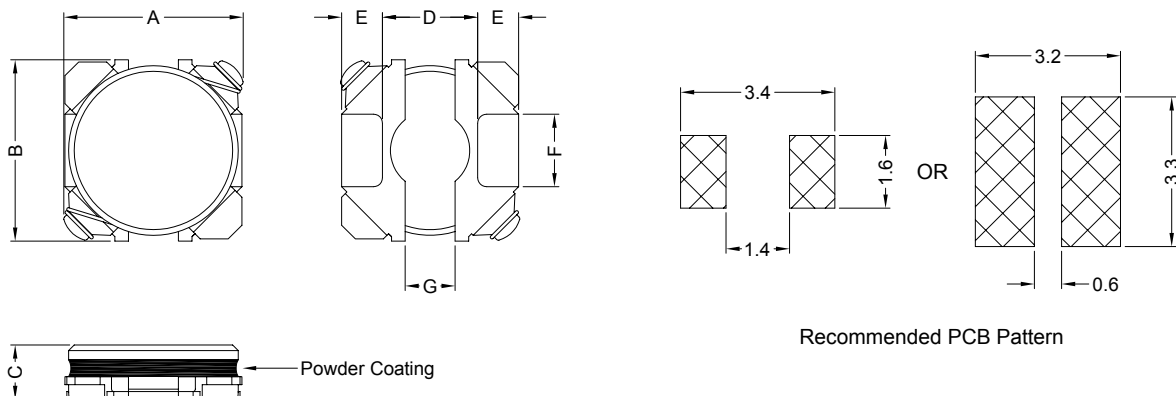


1. PART NO. EXPRESSION :

SPC3015FT-R68NZF
 (a) (b) (c)(d) (e) (f)(g)(h)

- (a) Series code
- (b) Dimension code
- (c) Powder coating type
- (d) Taping package
- (e) Inductance code : R68 = 0.68uH
- (f) Tolerance code : M = ±20%, N = ±30%
- (g) Z : Standard part
- (h) F : RoHS Compliant

2. CONFIGURATION & DIMENSIONS :



Unit:m/m

A	B	C	D	E	F	G
3.0±0.2	3.0±0.3	1.5 Max.	1.5 Typ	0.7 Typ	1.2 Typ	0.7 Typ

3. MATERIALS :

- (a) Core : Ferrite
- (b) Wire : Polyurethane Enamelled Copper Wire
- (c) Terminal Clip : C5191
- (d) Adhesive : Epoxy
- (e) Coating : Powder Coating



RoHS Compliant

NOTE : Specifications subject to change without notice. Please check our website for latest information.

29.06.2009

4. GENERAL SPECIFICATION :

- a) IDC1 : Based on inductance change ($\Delta L/L_0: \leq 30\%$) @ ambient temp. 25°C
- b) IDC2 : Based on temperature rise ($\Delta T: 40^\circ\text{C Typ.}$)
- c) Storage temp. : -40°C to +105°C
- d) Operating temp. : -40°C to +105°C
- e) Resistance to solder heat : 260°C 10secs

5. ELECTRICAL CHARACTERISTICS :

Part No.	Inductance (μH)	Tolerance	Test Frequency (Hz)	RDC ($\text{m}\Omega$) $\pm 20\%$	IDC1 (A)	IDC2 (A)
SPC3015FT-R68□ZF	0.68	N	0.1V/100K	38	3.40	2.00
SPC3015FT-1R0□ZF	1.0	N	0.1V/100K	44	3.00	1.85
SPC3015FT-1R2□ZF	1.2	N	0.1V/100K	55	2.50	1.70
SPC3015FT-1R5□ZF	1.5	N	0.1V/100K	71	2.20	1.55
SPC3015FT-1R8□ZF	1.8	N	0.1V/100K	79	2.00	1.45
SPC3015FT-2R2□ZF	2.2	M, N	0.1V/100K	99	1.90	1.35
SPC3015FT-3R3□ZF	3.3	M, N	0.1V/100K	120	1.60	1.25
SPC3015FT-4R7□ZF	4.7	M	0.1V/100K	180	1.30	1.05
SPC3015FT-100□ZF	10	M	0.1V/100K	330	0.95	0.75

Tolerance code : □ : N = $\pm 30\%$
 M = $\pm 20\%$



RoHS Compliant

NOTE : Specifications subject to change without notice. Please check our website for latest information.

29.06.2009



Tai-Tech Advanced Electronics (S) Pte Ltd