

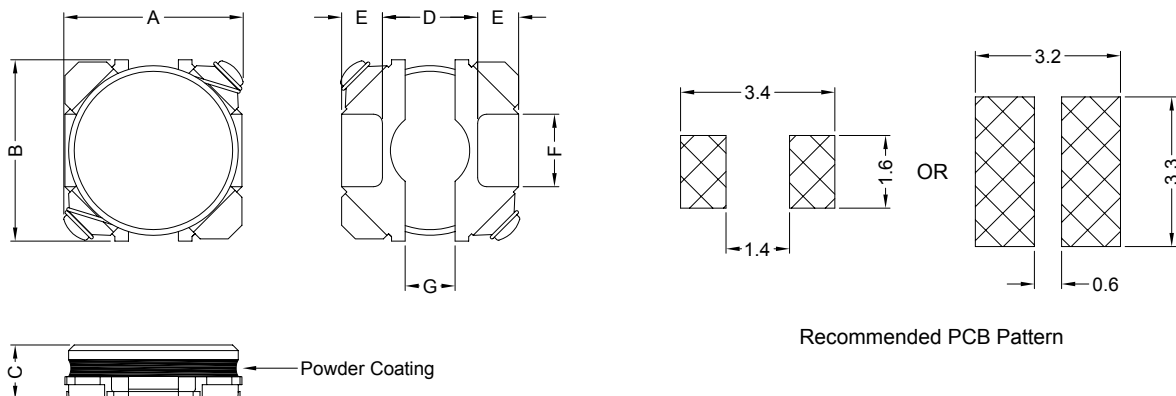
1. PART NO. EXPRESSION :

SPC3012FT-1R0NZF

(a) (b) (c)(d) (e) (f)(g)(h)

- (a) Series code
- (b) Dimension code
- (c) Powder coating type
- (d) Taping package
- (e) Inductance code : 1R0 = 1.0uH
- (f) Tolerance code : M = ±20%, N = ±30%
- (g) Z : Standard part
- (h) F : RoHS Compliant

2. CONFIGURATION & DIMENSIONS :



Unit:m/m

A	B	C	D	E	F	G
3.0±0.2	3.0±0.3	1.2 Max.	1.5 Typ	0.7 Typ	1.2 Typ	0.7 Typ

3. MATERIALS :

- (a) Core : Ferrite
- (b) Wire : Polyurethane Enamelled Copper Wire
- (c) Terminal Clip : C5191
- (d) Adhesive : Epoxy
- (e) Coating : Powder Coating



RoHS Compliant

NOTE : Specifications subject to change without notice. Please check our website for latest information.

29.06.2009

4. GENERAL SPECIFICATION :

- a) IDC1 : Based on inductance change ($\Delta L/L_0: \leq 30\%$) @ ambient temp. 25°C
- b) IDC2 : Based on temperature rise ($\Delta T: 40^\circ\text{C Typ.}$)
- c) Storage temp. : -40°C to +105°C
- d) Operating temp. : -40°C to +105°C
- e) Resistance to solder heat : 260°C 10secs

5. ELECTRICAL CHARACTERISTICS :

Part No.	Inductance (uH)	Test Frequency (Hz)	RDC (mΩ) ±20%	IDC1 (A)	IDC2 (A)
SPC3012FT-R68NZF	0.68±30%	0.1V/100K	44	2.10	1.85
SPC3012FT-1R0NZF	1.0±30%	0.1V/100K	53	1.90	1.70
SPC3012FT-1R5NZF	1.5±30%	0.1V/100K	67	1.70	1.55
SPC3012FT-2R2NZF	2.2±30%	0.1V/100K	93	1.30	1.40
SPC3012FT-3R3NZF	3.3±30%	0.1V/100K	130	1.10	1.20
SPC3012FT-4R7MZF	4.7±20%	0.1V/100K	190	0.95	0.95
SPC3012FT-6R8MZF	6.8±20%	0.1V/100K	260	0.80	0.80
SPC3012FT-100MZF	10±20%	0.1V/100K	360	0.65	0.67
SPC3012FT-150MZF	15±20%	0.1V/100K	530	0.55	0.56
SPC3012FT-220MZF	22±20%	0.1V/100K	790	0.45	0.41
SPC3012FT-330MZF	33±20%	0.1V/100K	1140	0.36	0.31
SPC3012FT-470MZF	47±20%	0.1V/100K	1530	0.30	0.22



RoHS Compliant

NOTE : Specifications subject to change without notice. Please check our website for latest information.

29.06.2009



Tai-Tech Advanced Electronics (S) Pte Ltd