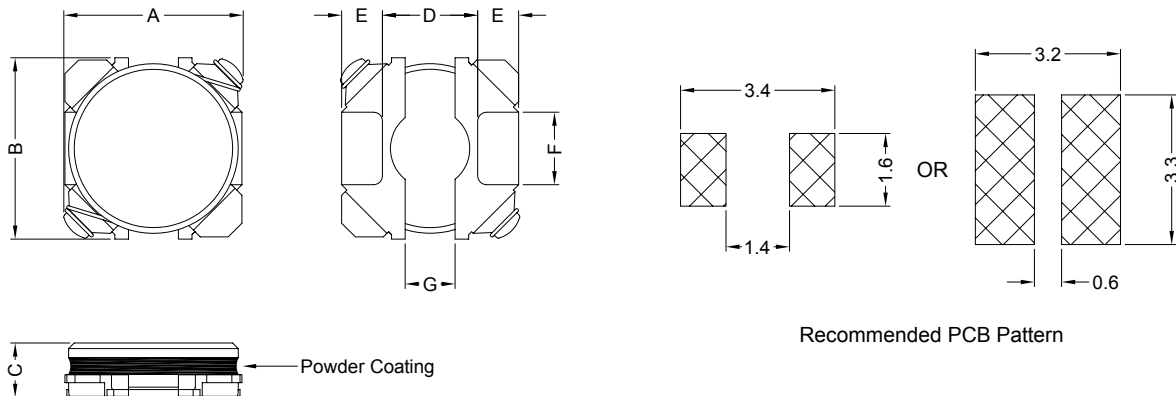


1. PART NO. EXPRESSION :

$\frac{S}{(a)} \frac{P}{(b)} \frac{C}{(c)(d)} \frac{3010}{(e)} \frac{FT}{(f)(g)(h)} - \frac{1R2}{(e)} \frac{NZ}{(f)(g)(h)} \frac{F}{(h)}$

- (a) Series code
- (b) Dimension code
- (c) Powder coating type
- (d) Taping package
- (e) Inductance code : 1R2 = 1.2uH
- (f) Tolerance code : M = ±20%, N = ±30%
- (g) Z : Standard part
- (h) F : RoHS Compliant

2. CONFIGURATION & DIMENSIONS :



Unit:m/m

| A | B | C | D | E | F | G |
|---------|---------|----------|---------|---------|---------|---------|
| 3.0±0.2 | 3.0±0.3 | 1.0 Max. | 1.5 Typ | 0.7 Typ | 1.2 Typ | 0.7 Typ |

3. MATERIALS :

- (a) Core : Ferrite
- (b) Wire : Polyurethane Enamelled Copper Wire
- (c) Terminal Clip : C5191
- (d) Adhesive : Epoxy
- (e) Coating : Powder Coating



RoHS Compliant

NOTE : Specifications subject to change without notice. Please check our website for latest information.

29.06.2009

4. GENERAL SPECIFICATION :

- a) IDC1 : Based on inductance change ($\Delta L/L_0: \leq 30\%$) @ ambient temp. 25°C
- b) IDC2 : Based on temperature rise ($\Delta T: 40^\circ\text{C Typ.}$)
- c) Storage temp. : -40°C to +105°C
- d) Operating temp. : -40°C to +105°C
- e) Resistance to solder heat : 260°C 10secs

5. ELECTRICAL CHARACTERISTICS :

| Part No. | Inductance (uH) | Test Frequency (Hz) | RDC (mΩ) ±20% | IDC1 (A) | IDC2 (A) |
|------------------|-------------------|-----------------------|-----------------|------------|------------|
| SPC3010FT-1R2NZF | 1.0±30% | 0.1V/100K | 72 | 1.30 | 1.60 |
| SPC3010FT-1R5NZF | 1.5±30% | 0.1V/100K | 86 | 1.10 | 1.45 |
| SPC3010FT-2R2NZF | 2.2±30% | 0.1V/100K | 120 | 0.95 | 1.25 |
| SPC3010FT-3R3NZF | 3.3±30% | 0.1V/100K | 170 | 0.80 | 1.00 |
| SPC3010FT-4R7MZF | 4.7±20% | 0.1V/100K | 250 | 0.65 | 0.85 |
| SPC3010FT-6R8MZF | 6.8±20% | 0.1V/100K | 350 | 0.55 | 0.70 |
| SPC3010FT-100MZF | 10±20% | 0.1V/100K | 490 | 0.45 | 0.60 |
| SPC3010FT-150MZF | 15±20% | 0.1V/100K | 680 | 0.38 | 0.50 |
| SPC3010FT-220MZF | 22±20% | 0.1V/100K | 1000 | 0.33 | 0.40 |



RoHS Compliant

NOTE : Specifications subject to change without notice. Please check our website for latest information.

29.06.2009



Tai-Tech Advanced Electronics (S) Pte Ltd