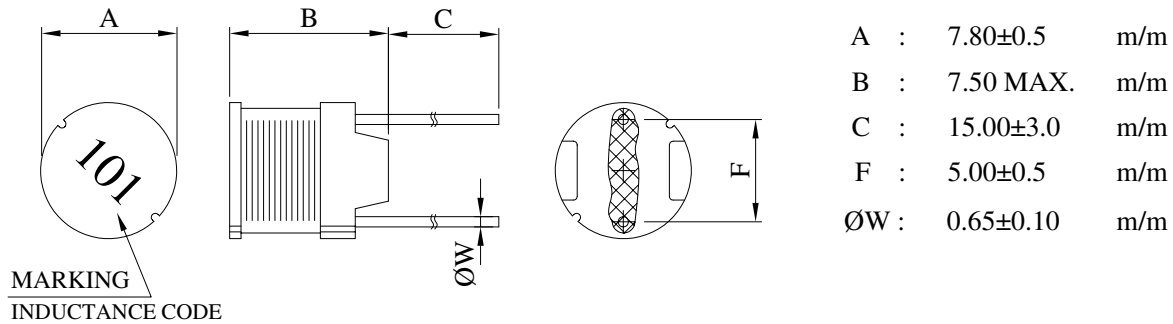


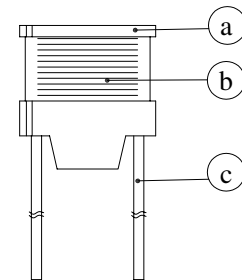
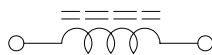
SPECIFICATION FOR APPROVAL

Product Name	RADIAL CHOKE COIL (LEAD FREE)	Page	1
Tai-Tech Part No.	S0807-1 STAND-OFF SERIES		

1. CONFIGURATION & DIMENSIONS :



2. SCHEMATIC DIAGRAM :



3. MATERIALS :

NO.	DESCRIPTION	SPECIFICATION	REMARK
a.	CORE	DR FERRITE CORE	
b.	WIRE	ENAMELLED COPPER WIRE	
c.	LEAD	TINNED COPPER WIRE	
d.	ADHESIVE	EPOXY	

4. GENERAL SPECIFICATION :

- a. THE INDUCTANCE DROP AT RATED CURRENT IS 10% MAX.
- b. TEMP. RISE : 40°C MAX. AT RATED CURRENT.
- c. STORAGE TEMP. : -40°C ----- +125°C
- d. OPERATING TEMP. : -25°C ----- +85°C



RoHS Compliant

NOTE : Specifications subject to change without notice. Please check our website for latest information.

04.09.2006



TAI-TECH ADVANCED ELECTRONICS (S) PTE LTD

SPECIFICATION FOR APPROVAL

Product Name	RADIAL CHOKE COIL (LEAD FREE)	Page	2
Tai-Tech Part No.	S0807-1 STAND-OFF SERIES		

5. ELECTRICAL CHARACTERISTICS :

PART NO.	INDUCTANCE (μ H)	TEST FREQ. (HZ)	RDC (Ohm) MAX	IDC (A) MAX
S0807-100M2R9-1F	10 \pm 20%	2.52M	0.05	2.90
S0807-120M2R5-1F	12 \pm 20%	2.52M	0.06	2.50
S0807-150K2R2-1F	15 \pm 10%	2.52M	0.07	2.20
S0807-180K1R9-1F	18 \pm 10%	2.52M	0.08	1.90
S0807-220K1R8-1F	22 \pm 10%	2.52M	0.09	1.80
S0807-270K1R7-1F	27 \pm 10%	2.52M	0.11	1.70
S0807-330K1R5-1F	33 \pm 10%	2.52M	0.13	1.50
S0807-390K1R3-1F	39 \pm 10%	2.52M	0.14	1.30
S0807-470K1R3-1F	47 \pm 10%	2.52M	0.15	1.30
S0807-560K1R2-1F	56 \pm 10%	2.52M	0.18	1.20
S0807-680K1R1-1F	68 \pm 10%	2.52M	0.20	1.10
S0807-820K1R0-1F	82 \pm 10%	2.52M	0.24	1.00
S0807-101KR89-1F	100 \pm 10%	1K	0.28	0.89
S0807-121KR81-1F	120 \pm 10%	1K	0.36	0.81
S0807-151KR72-1F	150 \pm 10%	1K	0.42	0.72
S0807-181KR66-1F	180 \pm 10%	1K	0.57	0.66
S0807-221KR57-1F	220 \pm 10%	1K	0.63	0.57
S0807-271KR51-1F	270 \pm 10%	1K	0.88	0.51
S0807-331KR46-1F	330 \pm 10%	1K	1.05	0.46
S0807-391KR44-1F	390 \pm 10%	1K	1.17	0.44
S0807-471KR41-1F	470 \pm 10%	1K	1.34	0.41
S0807-561KR36-1F	560 \pm 10%	1K	1.72	0.36
S0807-681KR33-1F	680 \pm 10%	1K	1.96	0.33
S0807-821KR30-1F	820 \pm 10%	1K	2.56	0.30
S0807-102KR27-1F	1000 \pm 10%	1K	2.94	0.27



RoHS Compliant

NOTE : Specifications subject to change without notice. Please check our website for latest information.

04.09.2006



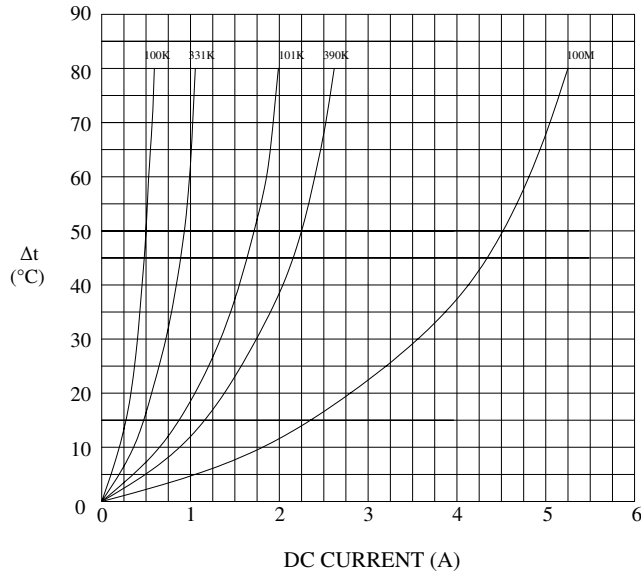
TAI-TECH ADVANCED ELECTRONICS (S) PTE LTD

SPECIFICATION FOR APPROVAL

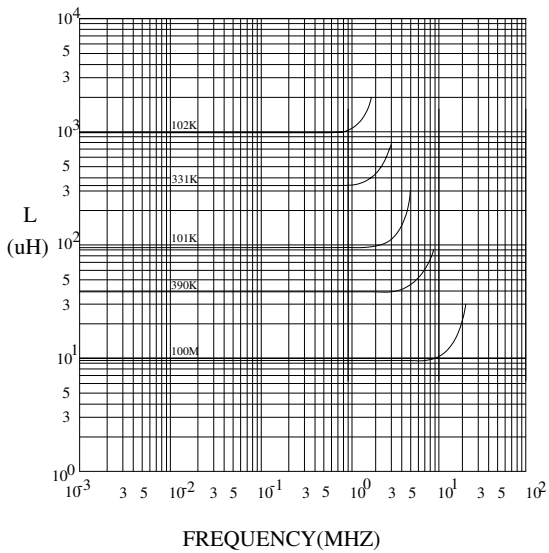
Product Name	RADIAL CHOKE COIL (LEAD FREE)	Page	3
Tai-Tech Part No.	S0807-1 STAND-OFF SERIES		

6. CHARACTERISTICS CURVES :

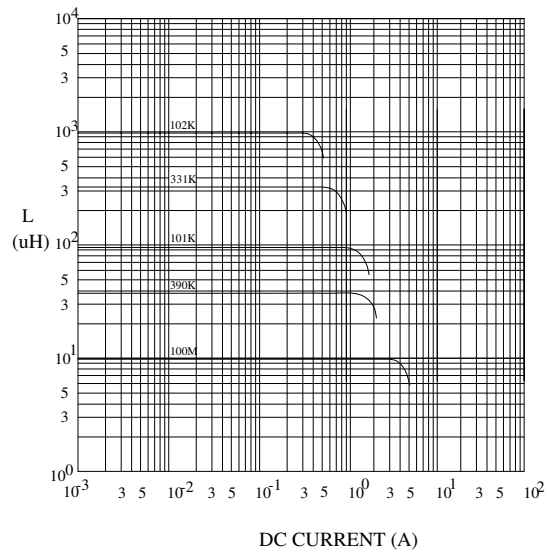
@ TEMP. RISE VS. DC SUPERPOSITION RESPONSE CURVE



@ INDUCTANCE VS. FREQUENCY RESPONSE CURVE



@ INDUCTANCE VS. DC SUPERPOSITION RESPONSE CURVE



RoHS Compliant

NOTE : Specifications subject to change without notice. Please check our website for latest information.

04.09.2006



TAI-TECH ADVANCED ELECTRONICS (S) PTE LTD