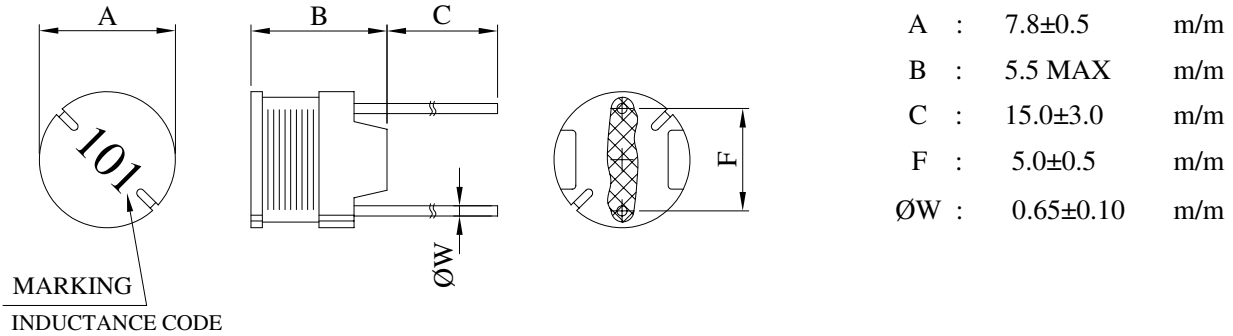


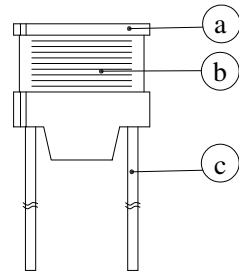
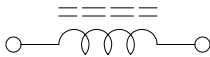
# SPECIFICATION FOR APPROVAL

|                   |                               |      |   |
|-------------------|-------------------------------|------|---|
| Product Name      | RADIAL CHOKE COIL (LEAD FREE) | Page | 1 |
| Tai-Tech Part No. | S0805-1 STAND-OFF SERIES      |      |   |

## 1. CONFIGURATION & DIMENSIONS :



## 2. SCHEMATIC DIAGRAM :



## 3. MATERIALS :

| NO. | DESCRIPTION | SPECIFICATION         | REMARK |
|-----|-------------|-----------------------|--------|
| a.  | CORE        | DR FERRITE CORE       |        |
| b.  | WIRE        | ENAMELLED COPPER WIRE |        |
| c.  | LEAD        | TINNED COPPER WIRE    |        |
| d.  | ADHESIVE    | EPOXY                 |        |

## 4. GENERAL SPECIFICATION :

- a. THE INDUCTANCE DROP AT RATED CURRENT IS 10% MAX.
- b. TEMP. RISE : 40°C MAX. AT RATED CURRENT.
- c. STORAGE TEMP. : -40°C ----- +125°C
- d. OPERATING TEMP. : -25°C ----- +85°C



**RoHS Compliant**

*NOTE : Specifications subject to change without notice. Please check our website for latest information.*

04.09.2006



**TAI-TECH ADVANCED ELECTRONICS (S) PTE LTD**

# SPECIFICATION FOR APPROVAL

|                   |                               |      |   |
|-------------------|-------------------------------|------|---|
| Product Name      | RADIAL CHOKE COIL (LEAD FREE) | Page | 2 |
| Tai-Tech Part No. | S0805-1 STAND-OFF SERIES      |      |   |

## 5. ELECTRICAL CHARACTERISTICS :

| PART NO.         | INDUCTANCE<br>( $\mu$ H) | TEST<br>FREQ.<br>(HZ) | RDC<br>(Ohm)<br>MAX | IDC<br>(A)<br>MAX |
|------------------|--------------------------|-----------------------|---------------------|-------------------|
| S0805-100M2R5-1F | 10 $\pm$ 20%             | 2.52M                 | 0.07                | 2.50              |
| S0805-120M2R4-1F | 12 $\pm$ 20%             | 2.52M                 | 0.08                | 2.40              |
| S0805-150M2R1-1F | 15 $\pm$ 20%             | 2.52M                 | 0.09                | 2.10              |
| S0805-180M2R0-1F | 18 $\pm$ 20%             | 2.52M                 | 0.10                | 2.00              |
| S0805-220K1R7-1F | 22 $\pm$ 10%             | 2.52M                 | 0.12                | 1.70              |
| S0805-270K1R6-1F | 27 $\pm$ 10%             | 2.52M                 | 0.14                | 1.60              |
| S0805-330K1R4-1F | 33 $\pm$ 10%             | 2.52M                 | 0.17                | 1.40              |
| S0805-390K1R3-1F | 39 $\pm$ 10%             | 2.52M                 | 0.21                | 1.30              |
| S0805-470K1R2-1F | 47 $\pm$ 10%             | 2.52M                 | 0.24                | 1.20              |
| S0805-560K1R1-1F | 56 $\pm$ 10%             | 2.52M                 | 0.31                | 1.10              |
| S0805-680K1R0-1F | 68 $\pm$ 10%             | 2.52M                 | 0.34                | 1.00              |
| S0805-820KR93-1F | 82 $\pm$ 10%             | 2.52M                 | 0.40                | 0.93              |
| S0805-101KR81-1F | 100 $\pm$ 10%            | 1K                    | 0.52                | 0.81              |
| S0805-121KR76-1F | 120 $\pm$ 10%            | 1K                    | 0.59                | 0.76              |
| S0805-151KR67-1F | 150 $\pm$ 10%            | 1K                    | 0.71                | 0.67              |
| S0805-181KR62-1F | 180 $\pm$ 10%            | 1K                    | 0.89                | 0.62              |
| S0805-221KR54-1F | 220 $\pm$ 10%            | 1K                    | 1.04                | 0.54              |
| S0805-271KR49-1F | 270 $\pm$ 10%            | 1K                    | 1.28                | 0.49              |
| S0805-331KR44-1F | 330 $\pm$ 10%            | 1K                    | 1.47                | 0.44              |
| S0805-391KR41-1F | 390 $\pm$ 10%            | 1K                    | 1.67                | 0.41              |
| S0805-471KR38-1F | 470 $\pm$ 10%            | 1K                    | 1.95                | 0.38              |
| S0805-561KR35-1F | 560 $\pm$ 10%            | 1K                    | 2.83                | 0.35              |
| S0805-681KR32-1F | 680 $\pm$ 10%            | 1K                    | 3.25                | 0.32              |
| S0805-821KR31-1F | 820 $\pm$ 10%            | 1K                    | 3.82                | 0.31              |
| S0805-102KR25-1F | 1000 $\pm$ 10%           | 1K                    | 5.28                | 0.25              |



RoHS Compliant

NOTE : Specifications subject to change without notice. Please check our website for latest information.

04.09.2006



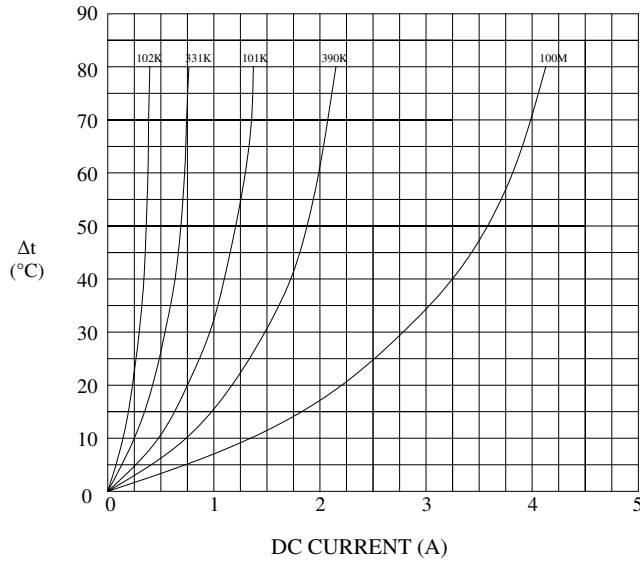
TAI-TECH ADVANCED ELECTRONICS (S) PTE LTD

# SPECIFICATION FOR APPROVAL

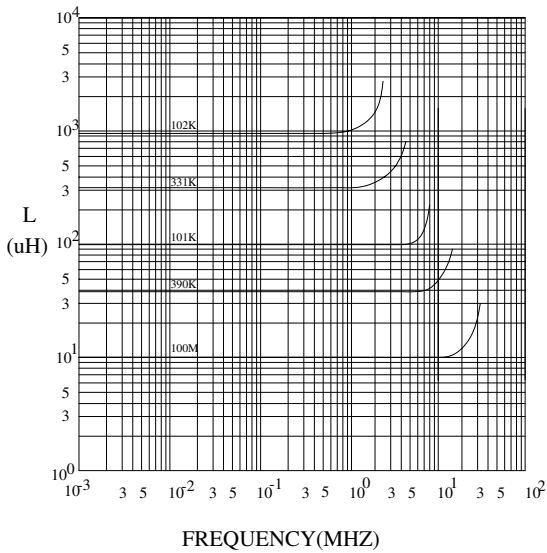
|                   |                               |      |   |
|-------------------|-------------------------------|------|---|
| Product Name      | RADIAL CHOKE COIL (LEAD FREE) | Page | 3 |
| Tai-Tech Part No. | S0805-1 STAND-OFF SERIES      |      |   |

## 6. CHARACTERISTICS CURVES :

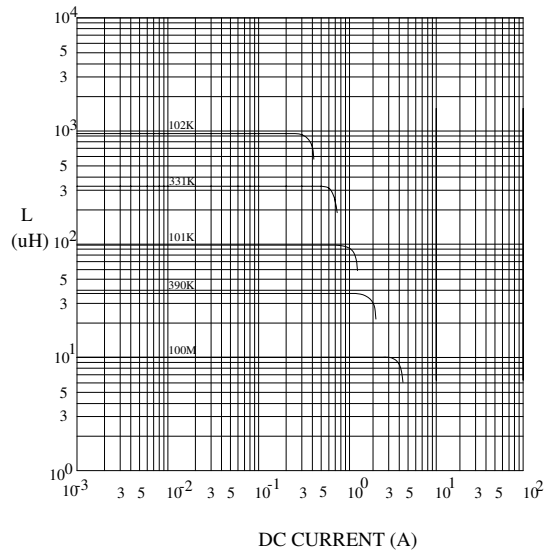
@ TEMP. RISE VS. DC SUPERPOSITION RESPONSE CURVE



@ INDUCTANCE VS. FREQUENCY RESPONSE CURVE



@ INDUCTANCE VS. DC SUPERPOSITION RESPONSE CURVE



**RoHS Compliant**

NOTE : Specifications subject to change without notice. Please check our website for latest information.

04.09.2006



**TAI-TECH ADVANCED ELECTRONICS (S) PTE LTD**